

The International
UN Team



unforklift.com

UN FORKLIFT


N Series Forklift Truck

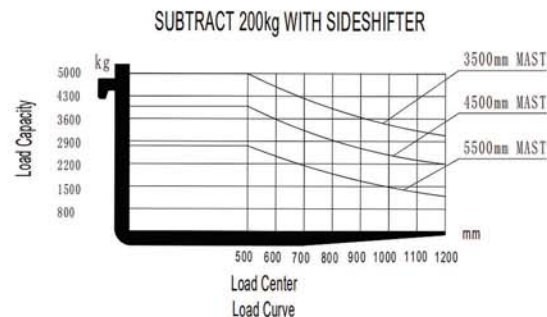
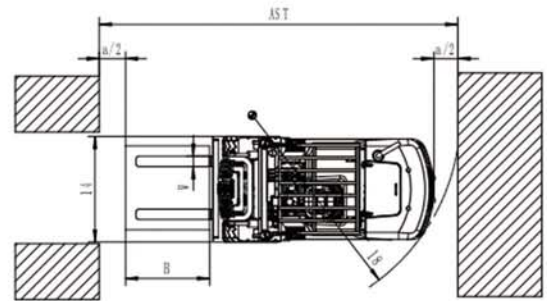
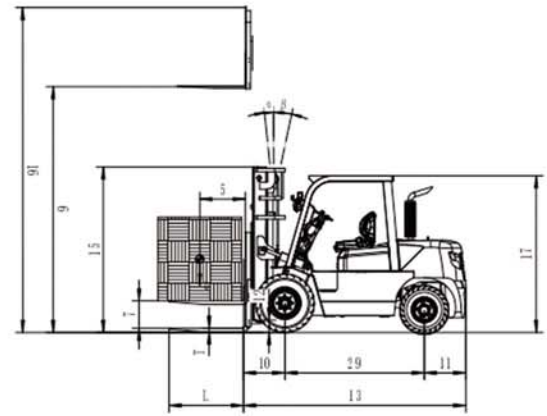
4.0—Mini 5.0T Diesel Forklift



Zhejiang UN Forklift Co., Ltd

MAIN SPECIFICATIONS

General								
1	Manufacturer							
2	Model	FD40T-NGP2	FD45T-NGP2	FD50T-XNGP2	FD40T-NJM2	FD45T-NJM2	FD50T-XNJM2	
3	Power Type	Diesel			Diesel			
4	Rated Load Capacity	Q(kg)	4000	4500	5000	4000	4500	5000
5	Load Centre	C(mm)	500			500		
6	Rated Lift Height	H3(mm)	3000			3000		
7	Free Lift Height	H2(mm)	84			84		
8	Fork Size (L×W×T)	mm	1070×150×50			1070×150×50		
9	Mast Tilt Angle (F/R, α°/β°)	deg	6°/12°			6°/12°		
10	Fork Overhang (Wheel Center to Fork Face)	X1(mm)	578			578		
11	Rear Overhang	X2(mm)	550	570	614	550	570	614
12	Ground Clearance (Bottom of Mast)	H7(mm)	175			175		
13	Length to Face of Fork (Without Fork)	L1(mm)	3091		3125		3091	
14	Overall Width	B1(mm)	1485			1485		
15	Mast Lowered Height	H1(mm)	2260			2260		
16	Mast Extended Height (With Backrest)	H4(mm)	4266			4266		
17	Overhead Guard Height	H5(mm)	2240			2240		
18	Turning Radius (Outside)	Wa(mm)	2790		2830		2790	
19	Min.Aisle width for pallets	Ast(mm)	4640		4680		4640	
20	Travel Speed (No Load)	km/h				22		
21	Lifting Speed (No Load/Full Load)	mm/sec	450		430		450	
22	Lowering Speed (No Load/Full Load)	mm/sec	480			480		
23	Max.Drawbar Pull (Full Load)	KN	>21			>21		
24	Max.Gradeability (Full Load)	%	≥20%			≥20%		
25	Tyre (Front x 2)	mm	300-15-18PR			300-15-18PR		
26	Tyre (Rear x 2)	mm	7.00-12-12PR			7.00-12-12PR		
27	Front Tread	B2(mm)	1180			1180		
28	Rear Tread	B3(mm)	1190			1190		
29	Wheelbase	Y(mm)	2000			2000		
30	Total Weight	kg	6600	6800	7100	6600	6800	7100
31	Front Axle Weight Distribution (Full Load)	kg	9010	9750	10500	9010	9750	10500
32	Rear Axle Weight Distribution (Full Load)	kg	1590	1550	1600	1590	1550	1600
33	Front Axle Weight Distribution (No Load)	kg	2750	2710	2680	2750	2710	2680
34	Rear Axle Weight Distribution (No Load)	kg	3850	4090	4420	3850	4090	4420
35	Battery	V/Ah	24/80			24/80		
36	Engine Model		4DX23-82GG3U			S6S(EUIII)		
37	Engine Manufacturer		Xichai			Mitsubishi		
38	Rated Output / r.p.m.	kw	60/2200			52 /2300		
39	Rated Torque / r.p.m.	N.m	320/1400~1700			248 /1700		
40	No.of Cylinder		4			6		
41	Bore x Stroke	mm	102x118			94 × 120		
42	Displacement	L	3.857			4.966		
43	Fuel Tank Capacity	L	90			90		
44	Transmission Type		Powershift			Powershift		
45	Transmission Stage (FWD/RVS)		2/1			2/1		
46	Operating Pressure (For Attachments)	Mpa	19			19		



MAST SPECIFICATIONS & RATED CAPACITIES

Mast Type	Mast Name	Max. Fork Height (mm)	Load Capacity (kg)						Overall Height (mm)			Free Lift (mm)		Tilt Angle	Total Weight (kg)		
			4.0T	4.0T (Doubl Wheel)	4.5T	4.5T (Doubl Wheel)	5.0T	5.0T (Doubl Wheel)	Lowered	Extended		Without Backrest	With Backrest		4.0T	4.0T	5.0T
										Without Backrest	With Backrest						
Wide View Mast	M270	3000	4000	4200	4500	4750	5000	5300	2260	3735	4266	84	84	6-12	6600	6800	7100
	M290	3300	4000	4200	4500	4750	5000	5300	2410	4035	4566	84	84	6-12	6680	6880	7180
	M300	3500	4000	4200	4500	4750	5000	5300	2510	4235	4766	84	84	6-12	6750	6930	7230
	M320	3700	4000	4200	4500	4750	4850	5150	2610	4435	4966	84	84	6-12	6800	6980	7280
	M330	4000	4000	4200	4500	4750	4650	4850	2810	4735	5266	84	84	6-6	7000	7200	7500
	M350	4300	3800	4000	4200	4450	4300	4600	2960	5035	5566	84	84	6-6	7100	7350	7650
	M370	4500	3600	3800	4000	4250	4200	4500	3060	5235	5766	84	84	6-6	7200	7420	7720
	M400	4700	3300	3500	3700	3950	3800	4100	3160	5435	5966	84	84	6-6	7250	7450	7750
	M450	5000	3000	3200	3500	3750	3650	3900	3310	5735	6266	84	84	6-6	7300	7500	7800
	M500	5500	2300	2500	2700	2950	2800	3100	3560	6235	6766	84	84	3-6	7550	7750	8000
3-Stage Full Free Wide View Mast	TFM400	6000	2000	2200	2400	2650	2500	2800	3860	6735	7266	84	84	3-6	7700	7900	8200
	TFM430	4000	3800	4000	4300	4550	4600	4900	2205	4659	5190	1379	1100	6-6	7450	7650	7950
	TFM450	4300	3400	3600	3800	4050	4100	4400	2320	5004	5535	1494	1125	6-6	7650	7850	8150
	TFM470	4500	3300	3500	3700	3950	4000	4300	2370	5154	5685	1544	1175	6-6	7750	7950	8250
	TFM500	4700	3000	3200	3300	3500	3600	3900	2435	5349	5880	1609	1240	6-6	7800	8000	8300
	TFM525	5000	2800	3000	3100	3350	3400	3700	2535	5649	6180	1709	1340	6-6	7860	8060	8360
	TFM550	5500	2300	2500	2600	2850	2900	3200	2700	6144	6675	1874	1430	3-6	7960	8160	8460
	TFM600	6000	1800	2000	2000	2250	2300	2600	2970	6654	7185	2044	1775	3-6	8060	8260	8560

With Separated Side shifter, load capacity subtract 200Kg. With Integrated side shifter, load capacity subtract 100Kg.